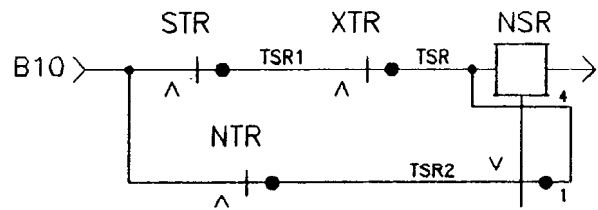
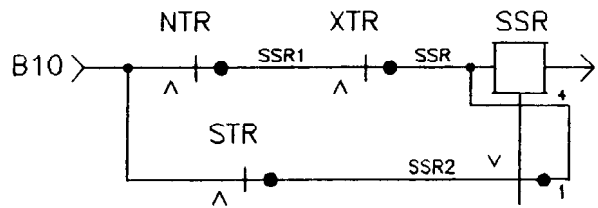


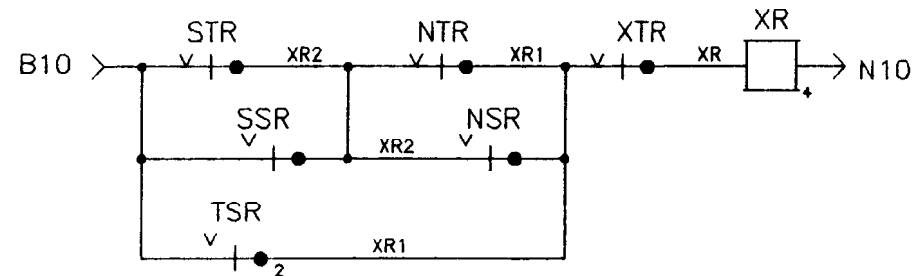
NORTHBOUND STICK RELAY



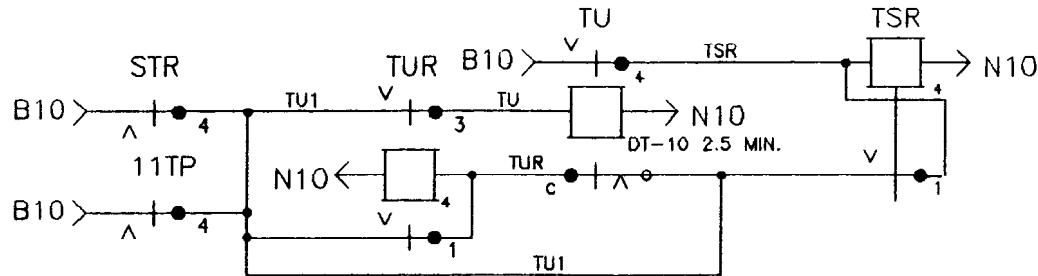
SOUTHBOUND STICK RELAY



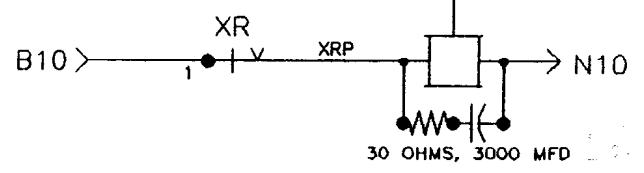
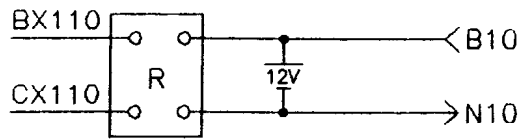
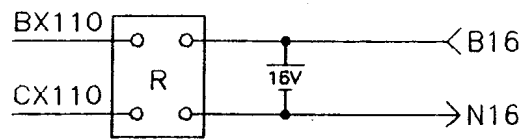
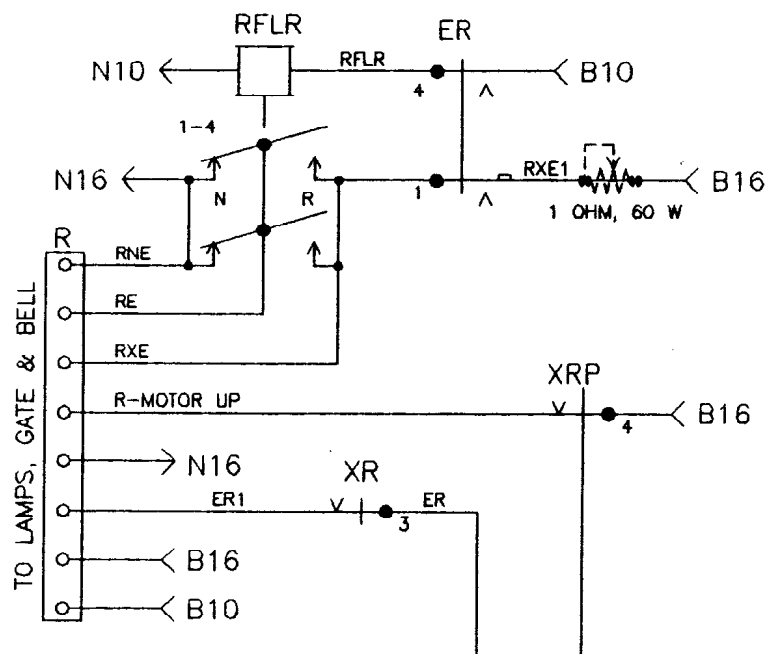
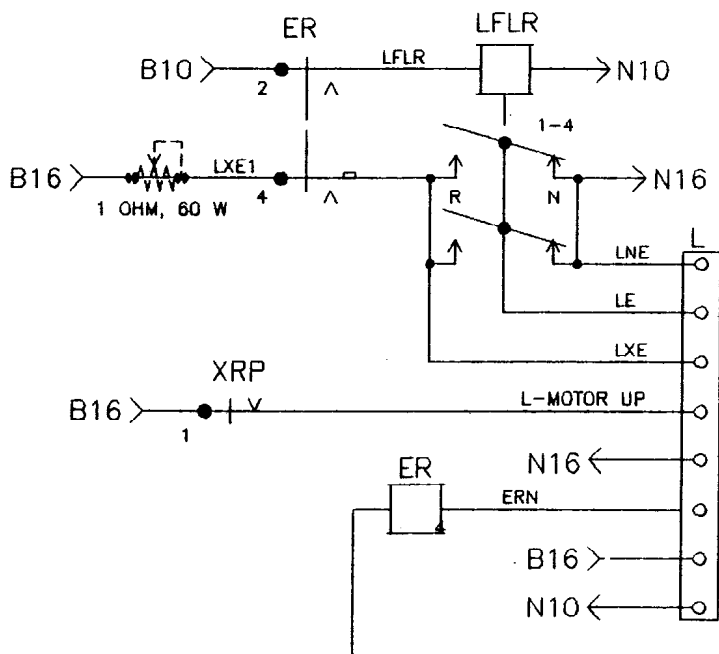
CROSSING LOGIC




TIME OUT STICK RELAY

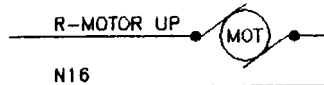
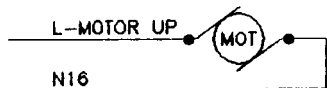
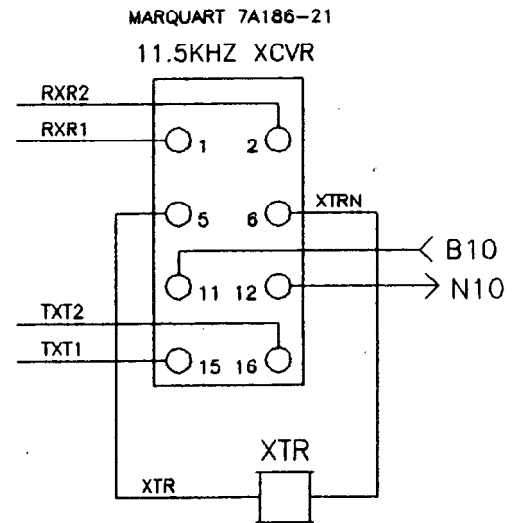
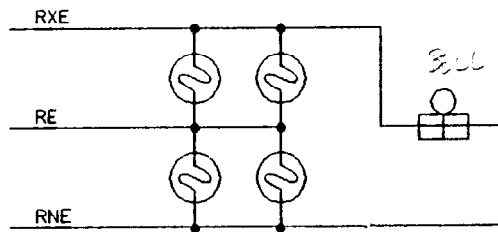
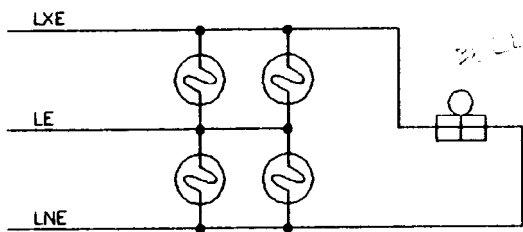



		ORANGE EMPIRE RAILWAY MUSEUM		
DRAWN E. CRANSTON 7/23/03		BASIC ATSF XING		
CHECKED	SIZE B	DWG. NO. C-1820-C	REV. 7/26/99 EMC	
DESIGN E. CRANSTON 7/23/03	SCALE NONE	SHEET 1	OF 3	



 SIGNAL ENGINEERING	ORANGE EMPIRE RAILWAY MUSEUM		
	BASIC ATSF XING		
DRAWN E. CRANSTON 7/23/03	SIZE B	DWG. NO. C-1820-C	REV. 7/26/99 EMC
CHECKED	SCALE NONE	SHEET 2 OF 3	
DESIGN E. CRANSTON 7/23/03			

FILE DECATSFC



 SIGNAL ENGINEERING	ORANGE EMPIRE RAILWAY MUSEUM		
	BASIC ATSF XING		
DRAWN E. CRANSTON 7/23/03	SIZE B	DWG. NO. C-1820-C	REV. 7/26/99 EMC
CHECKED	SCALE NONE	SHEET 3 of 3	
DESIGN E. CRANSTON 7/23/03			

FILE OECATSFC