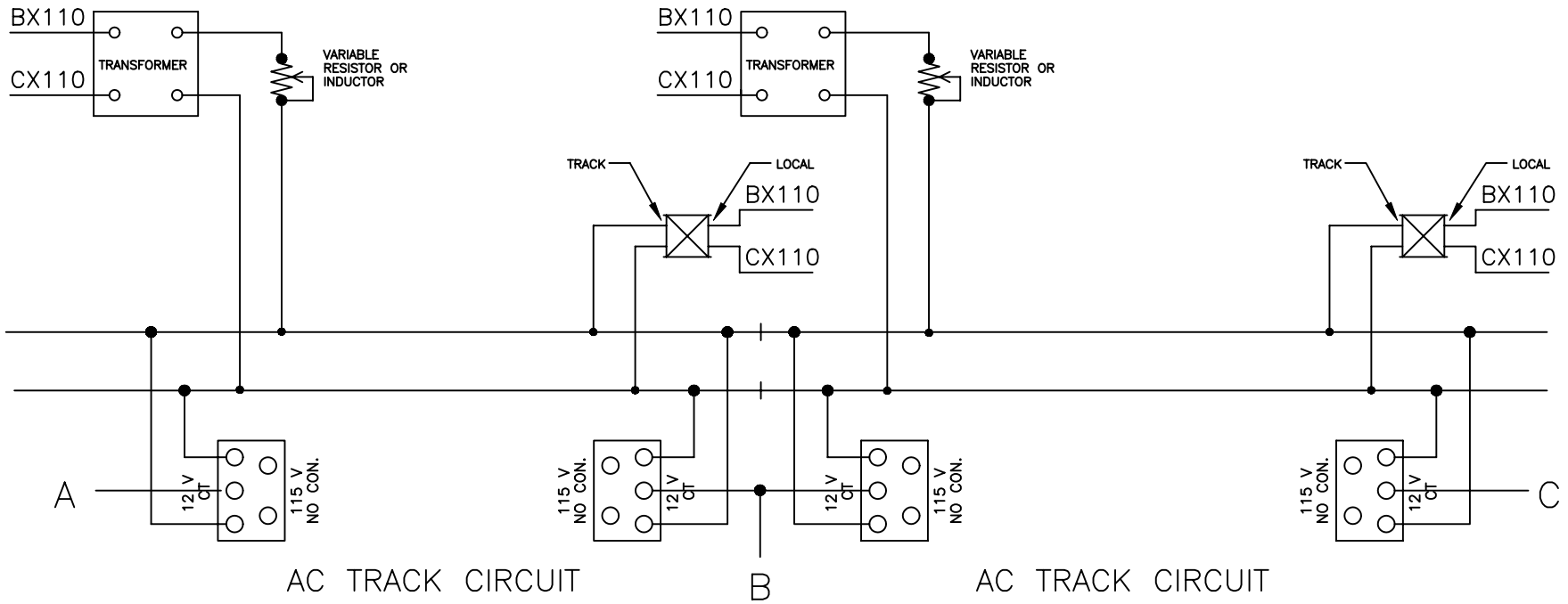


600 VOLTS DC



AC TRACK CIRCUIT

B


AC TRACK CIRCUIT

600 VOLTS DC
RETURN TO A, B, OR C

FOR LAB USE 600 VOLTS IS REPLACED BY 12 VOLTS DC. IMPEDANCE BONDS WORK WITH AC PROPULSION ALSO. TRY AT LEAST ONE VARIATION REPLACING 12 VDC WITH 12 VOLTS AC.

ALL COMPONENTS FOR EXPERIMENTS ARE STANDARD SIGNAL ITEMS, EXCEPT 115 V / 12 V CENTER TAP TRANSFORMERS ARE USED FOR IMPEDANCE BONDS AND AS PART OF AC RELAY REPLACEMENT.

BE CAREFUL, UNUSED TRANSFORMER TERMINALS ARE ENERGIZED TO 115 V

 SIGNAL ENGINEERING	ORANGE EMPIRE RAILWAY MUSEUM		
	IMPEDANCE BONDS		
DRAWN E.CRANSTON 4/30/03	SIZE B	DWG. NO. OETCKT	REV. 7/6/03
CHECKED	SCALE NONE	SHEET 1	OF 1
DESIGN E.CRANSTON 4/30/03			